

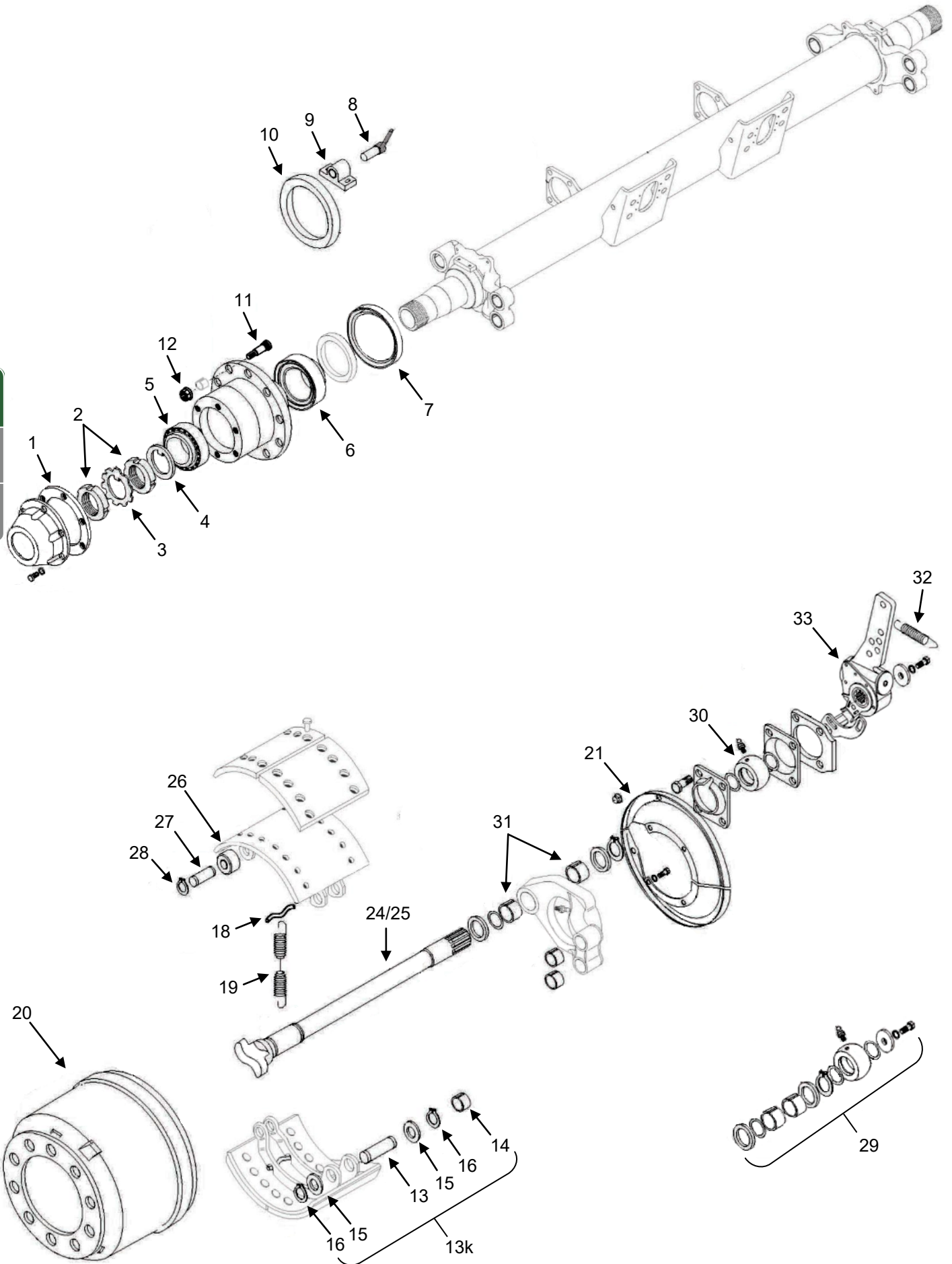


Axles & Suspension

Axle & Suspension

Axle Exploded Drawing

5
1
TE



Manufacturers and other wholesalers part numbers & names are used for cross reference purpose only and do not imply anything about the origin or manufacturer of the products

Axle & Suspension

Axle Parts



5
2
TE

	Part Number	Description	OEM Ref
1	CS10-005	Gasket (Hubcap)	1440-063
2	CS09-131	Lock Nut	1440-018
3	CS09-041	Lock Tab Washer	1440-019
4	CS16-207-01	Under Bearing Washer	1440-017
5	CS10-006-01	Outer Bearing, (Fersa Branded)	1440-061
6	CS10-007-01	Inner Bearing (Fersa Branded)	1440-060
7	CS10-004	Oil/Grease Seal	1440-20
8	CS10-079	ABS Sensor	1010-138
9	CS16-214	Sensor Bracket	1440-007
10	CS16-242	ABS Sensor Ring	1440-056

Manufacturers and other wholesalers part numbers & names are used for cross reference purpose only and do not imply anything about the origin or manufacturer of the products

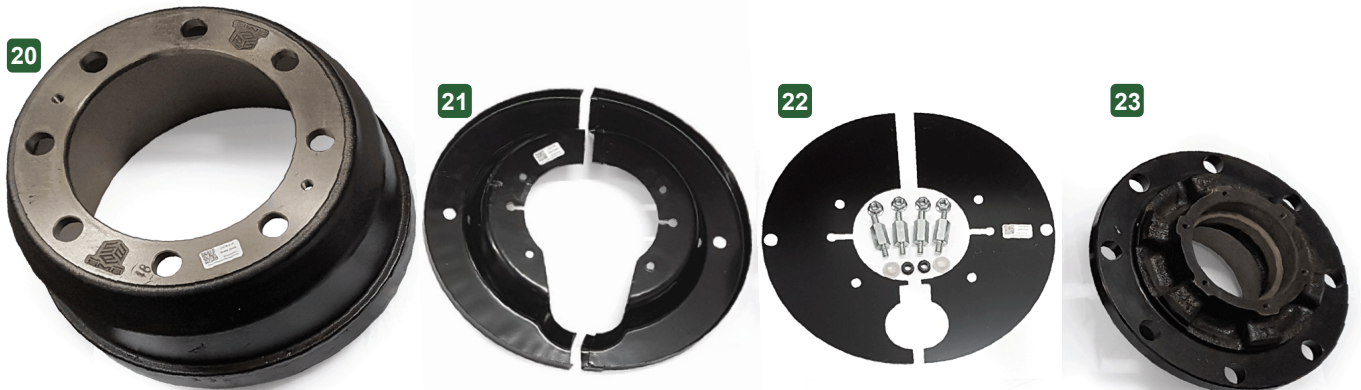
Axle & Suspension

Axle Parts

5
3
TE



	Part Number	Description	OEM Ref
11	CS16-212	Wheel Stud (M22)	1440-058
12	CS16-211	Wheel Nut (M22)	1440-059
13	CS16-226	Anchor Pin	1440-022
13k	CS16-222	Anchor Pin Kit, 1 x Anchor Pin, 1 x Bush, 2 x Washers, 2 x Circlips	1440-021
14	CS10-200	Bush (Anchor Pin)	1440-004
15	CS10-201	Washer (Anchor Pin)	1440-023
16	CS10-202	Circlip (Anchor Pin)	1440-024
17	CS16-227	Anchor Pin Kit (Fail Safe)	
18	CS16-220	Fixing Spring Pin (Brake Shoe)	1440-049
19	CS16-221	Return Spring (Brake Shoe)	1440-053



	Part Number	Description	OEM Ref
20	CS16-215	Genuine Brake Drum	1440-065
20	CS16-215-01	Non-Genuine Brake Drum	1440-065
21	CS16-234	Dust Cover	1440-066
22	CS16-234-01	Dust Cover	1440-066
23	CS16-237	Hub (8 Stud)	1440-054
	CS16-255	Hub Assembly, 1 x Hub, 1 x Seal, 1 x Gasket, 1 x Bearing, 1 x Bearing, 1 x ABS Sensor Ring	

Manufacturers and other wholesalers part numbers & names are used for cross reference purpose only and do not imply anything about the origin or manufacturer of the products

Axle & Suspension

Axle Parts



5
4
TE

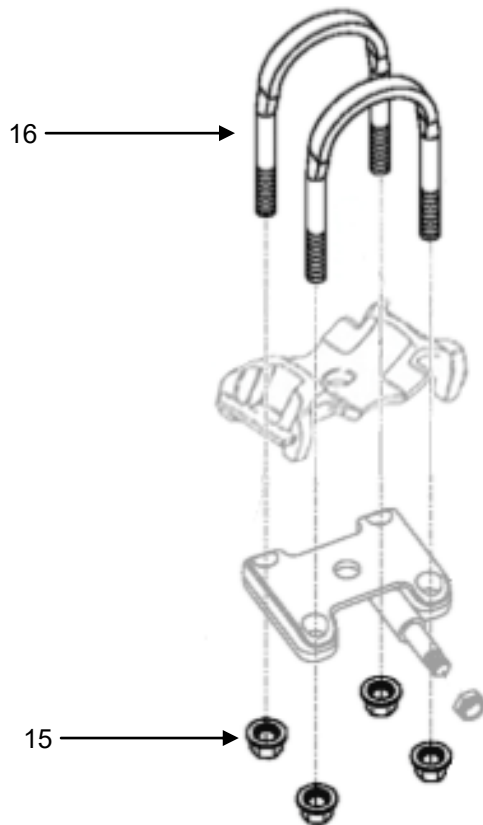
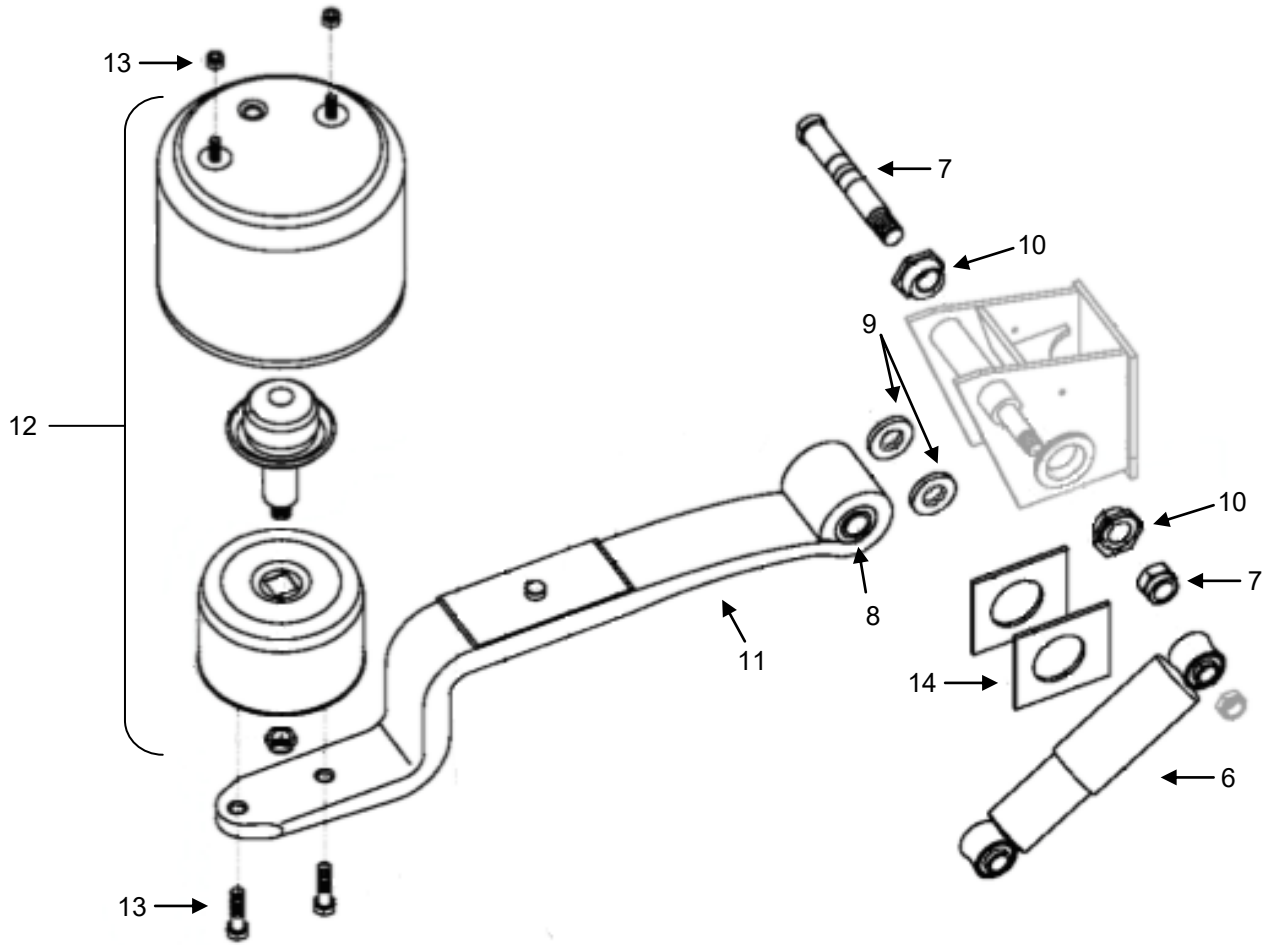
	Part Number	Description	OEM Ref
24	CS16-228	Cam Shaft (S)	1440-025
25	CS16-229	Cam Shaft (Z)	1440-026
26	CS16-217-01	Cam Roller	1440-046
27	CS16-218-01	Cam Pin	1440-047
28	CS16-219	Circlip (Cam Roller)	1440-048
29	CS16-230	Cam Shaft Repair Kit (Repairs 2 Cam shafts)	1440-027
30	CS16-231	Cam Bush (Slack Adjuster End)	1440-010
31	CS16-232	Cam Bush (Brake Shoe End)	1440-002
32	CS16-236	Return Spring (Slack Adjuster)	1440-035
33	CS16-235	Haldex Slack Adjuster	1440-037
34	CS16-235-01	Cojali Slack Adjuster	1440-037

Manufacturers and other wholesalers part numbers & names are used for cross reference purpose only and do not imply anything about the origin or manufacturer of the products

Axle & Suspension

Suspension Exploded Drawing

5
5
TE



Manufacturers and other wholesalers part numbers & names are used for cross reference purpose only and do not imply anything about the origin or manufacturer of the products

Axle & Suspension Suspension Parts



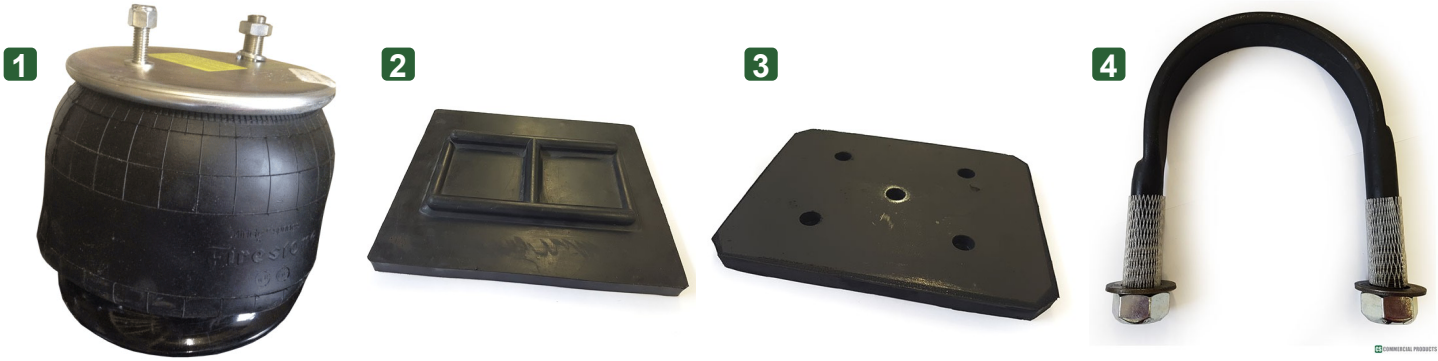
5
6
TE

	Part Number	Description	OEM Ref
1	CS16-238	Shock Absorber (Pre-2005)	1440-002
2	CS16-239	Short Shock Bolt (3/4" x 4 1/2")	1440-082
3	CS16-240	Long Shock Bolt (3/4" x 7")	1440-087
4	CS16-241	Shock Nut (3/4" Nyloc)	1440-066
5	CS16-250	Washer (3/4")	
6	CS16-245	Shock Absorber (Post 2005)	1440-115
7	CS16-243	Spring Eye Pin & Nut	1440-131/1440-133
8	CS16-249	Spring Eye Bush	1440-140
9	CS16-267-01	Washer/Spacer	1440-134
10	CS16-244	Eccentric Bush	1440-132
11	CS16-251	Road Spring	1440-130
12	CS16-246	Airbag (Post 2005)	1440-110
13	CS16-246F	Bolt Kit (to fit Post 2005 Airbag)	
14	CS16-261	Square Hanger Wear Plate	1440-139
15	CS16-211	Nut (U Bolt)	1440-059
16	CS16-247	U Bolt (Post 2005)	1440-145

Manufacturers and other wholesalers part numbers & names are used for cross reference purpose only and do not imply anything about the origin or manufacturer of the products

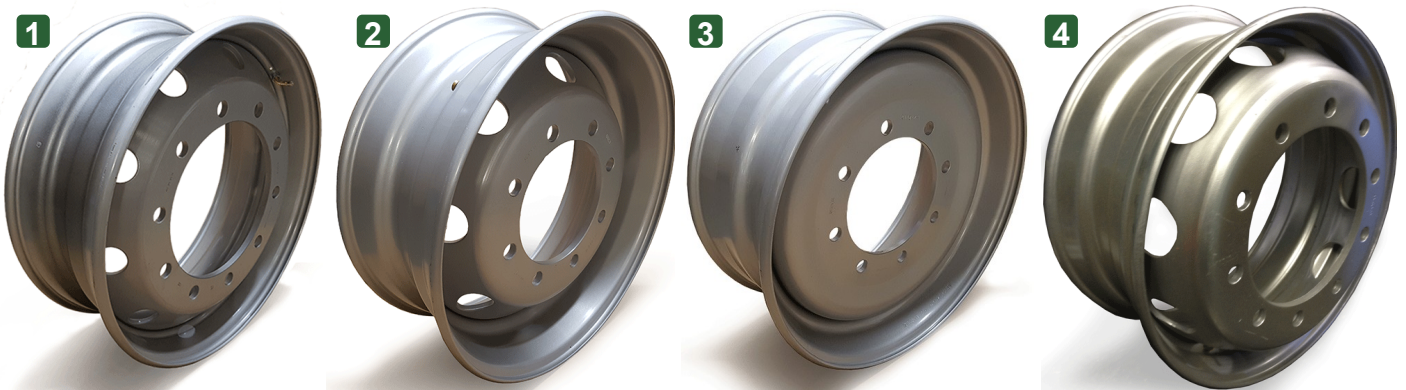
Axle & Suspension

Suspension Parts, Rims & Wheel Arch



	Part Number	Description	OEM Ref
1	CS16-266M	Airbag (Pre-2005)	1410-003
2	CS16-252	Axle Wrapper	1420-051
3	CS16-253	Axle Pad	1420-050
4	CS16-254	U Bolts, c/w Nuts & Washers	1420-011

5
7
TE



	Part Number	Description	OEM Ref
1	CS14-051	Wheel Rim, 10 Stud, 7½" (22.5 x 7.5)	1908-117
2	CS14-052	Wheel Rim, 8 Stud, 8¼" (22.5 x 8.25)	1908-052
3	CS14-053	Wheel Rim, 8 Stud, 9" (22.5 x 9.00)	1908-038E
4	CS14-055	Wheel Rim, 10 Stud, 9" (22.5 x 9.00) Truck Twin Rim	



	Part Number	Description	OEM Ref
1	CS16-270	Plastic Wheel Arch (1070mm)	1610-006

Manufacturers and other wholesalers part numbers & names are used for cross reference purpose only and do not imply anything about the origin or manufacturer of the products