

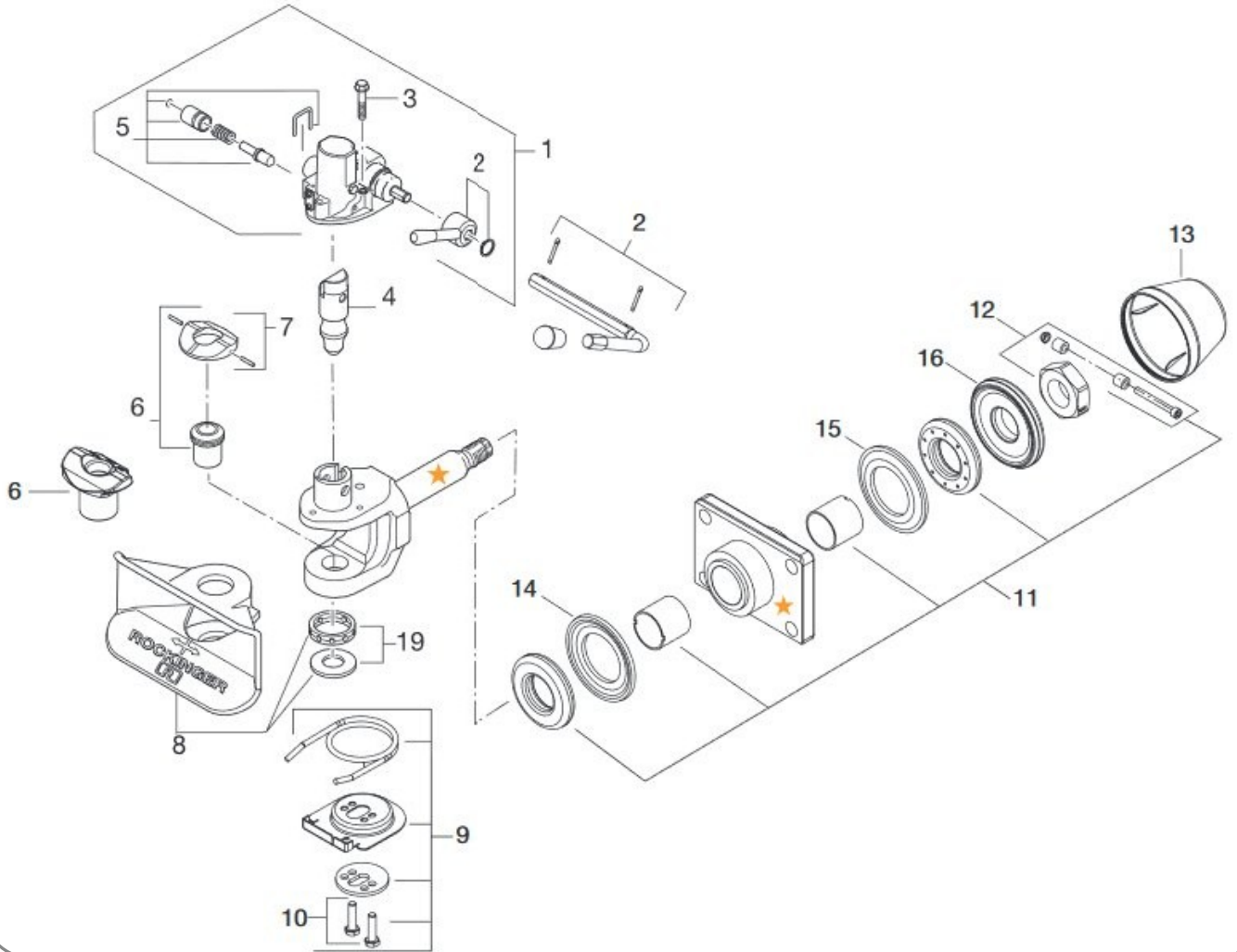


Towing Coupling

Coupling

Rockinger RO500 Coupling

Identifiable by the ID Plate on the coupling, Part number 500(A or B)65**



6
1
TE



	Part Number	Description	OEM Ref
1	CS10-052	Rockinger Coupling Bolt	1550-004
2	CS10-054	Rockinger Bottom Wear Plate	1550-007
3	CS10-055	Rockinger Bottom Bush Kit	1550-006
	CS10-052KIT	Hitch Repair Kit, 1 x Coupling Bolt, 1 x Eye Wear Bush (page 2), 1 x Bottom Bush Kit	

Manufacturers and other wholesalers part numbers & names are used for cross reference purpose only and do not imply anything about the origin or manufacturer of the products

Coupling

Rockinger RO500 Coupling

1



2



3



	Part Number	Description	OEM Ref
1	CS10-053	Rockinger Eye Wear Bush	1908-067
2	CS13-011	50mm Towing Eye	1908-030
3	CS13-012	50mm Towing Eye Bolt Kit	1908-035

6
2
TE

1



2



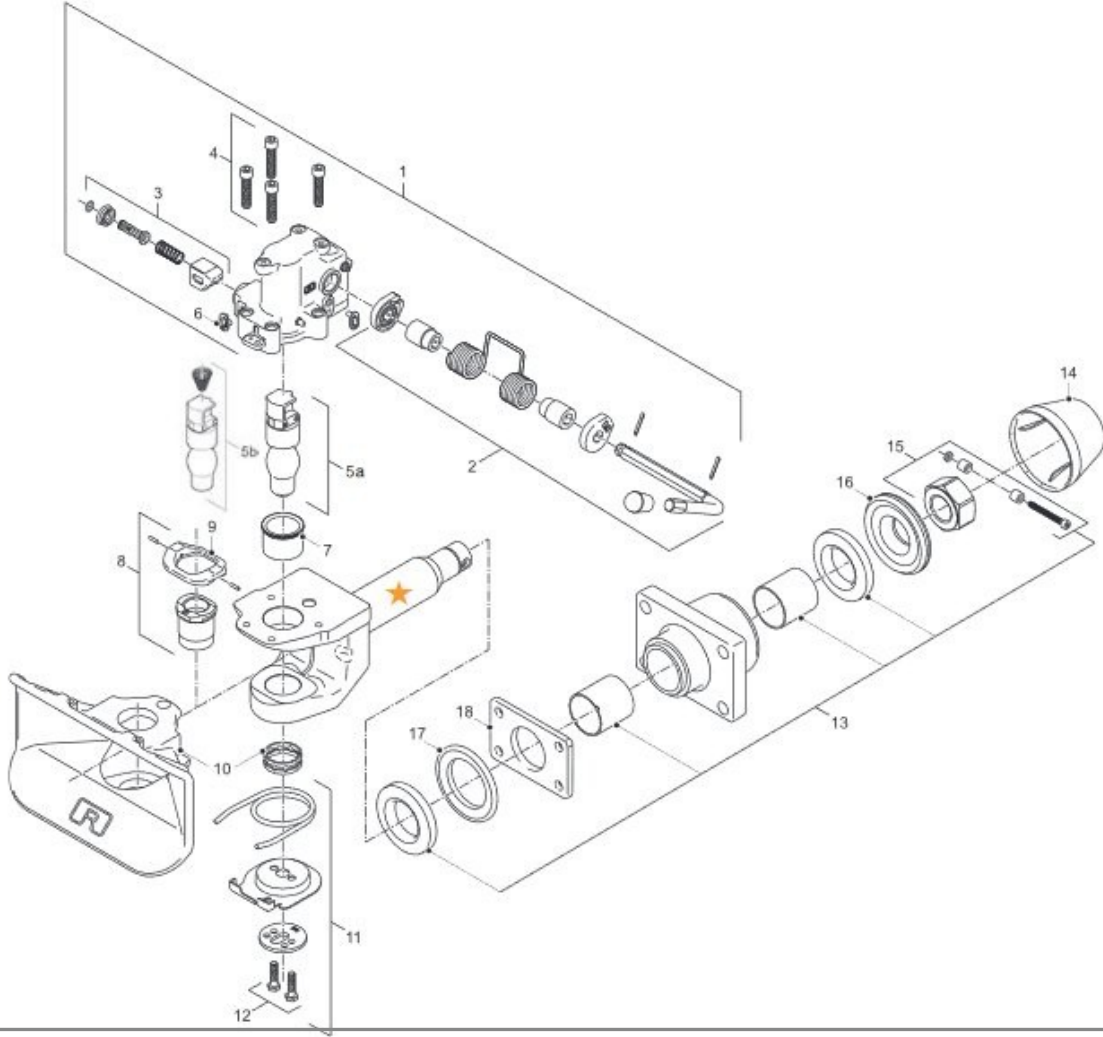
	Part Number	Description	OEM Ref
1	CS13-100	Coupling Mechanism/Head	1550-001
2	CS13-104	Coupling Spring Retaining Kit	1550-009

Manufacturers and other wholesalers part numbers & names are used for cross reference purpose only and do not imply anything about the origin or manufacturer of the products

Coupling

Rockinger RO50 Coupling

Identifiable by the ID Plate on the coupling, Part number 500(A or B)66**



6
3
TE



	Part Number	Description	OEM Ref
1	CS13-105	Rockinger Coupling Bolt	1550-104
2	CS13-106	Rockinger Bottom Wear Plate	1550-106
3	CS13-105KIT	Hitch Repair Kit, 1 x Coupling Bolt, 1 x Eye Wear Bush (page 4), 1 x Bottom Bush Kit	

Manufacturers and other wholesalers part numbers & names are used for cross reference purpose only and do not imply anything about the origin or manufacturer of the products

Coupling

Rockinger RO50 Coupling



	Part Number	Description	OEM Ref
1	CS10-053	Rockinger Eye Wear Bush	1908-067
2	CS13-011	50mm Towing Eye	1908-030
3	CS13-012	50mm Towing Eye Bolt Kit	1908-035

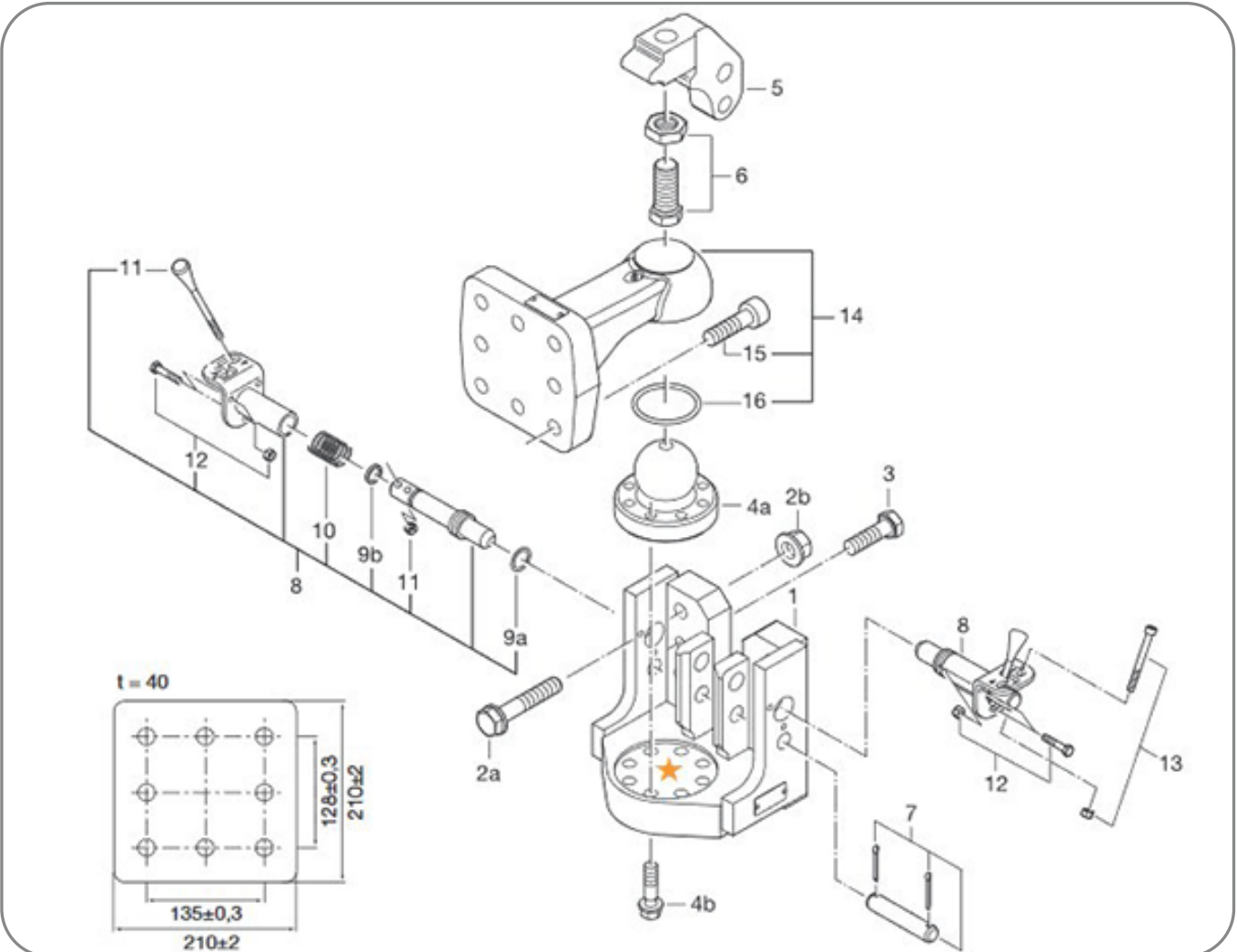
6
4
TE

Manufacturers and other wholesalers part numbers & names are used for cross reference purpose only and do not imply anything about the origin or manufacturer of the products

Coupling

Rockinger ROKU80 Coupling

6
5
TE



	Part Number	Description	OEM Ref
1	CS13-107	Rockinger Towing Spoon, c/w Bolts & 1 x Sealing Ring	1928-002
2	CS13-102	Rockinger Coupling Ball, c/w Bolts	1550-030
3	CS13-103	Rockinger Sealing Ring	1550-026

Manufacturers and other wholesalers part numbers & names are used for cross reference purpose only and do not imply anything about the origin or manufacturer of the products